

Pump-out Station LS60W



Housing made of 316 mirror finished stainless steel

**Diaphragm pump made of bronze
It is self priming and can run dry**

Less space required (400x400mm footprint)

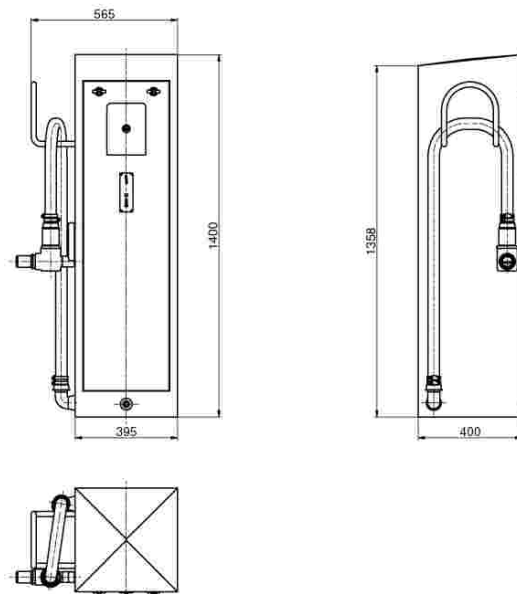
Controlled by Token, Coin, Key Start/Stop or Magnetic card

Easy to service due to the fully removable door.

Pump-out probe meets european standard ISO 8099

Data:

Capacity :	60l/min
Motor power:	750W
Weight:	95kg
Max. Suction height:	6m
Max. discharge length:	120m
Max. pressure height:	15m
Connections:	2" BSP



Lee Sanitation Ltd.

**Wharf Road, Fenny Compton,
Warwickshire, CV47 2FE, UK**

**Tel. 0044 (0) 1295 770000
Fax.0044 (0) 1295 770022**

**sales@leesan.com
www.leesan.com**