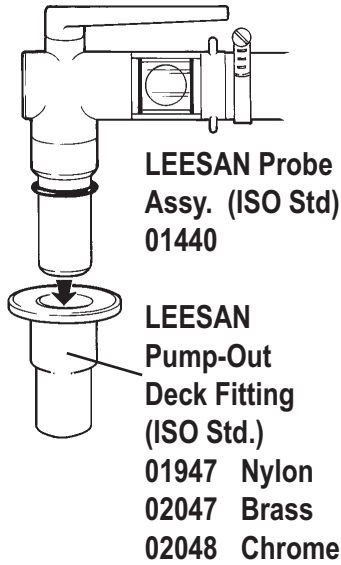
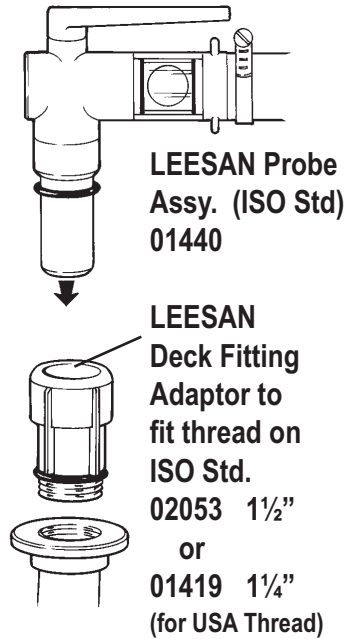


Pump Out Connections

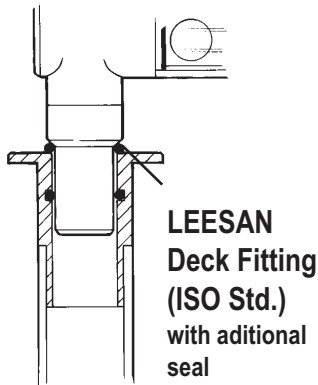
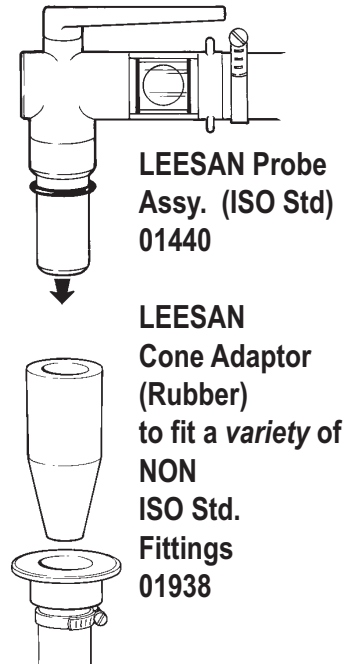
“Hands Free”
No Adaptors
“ISO 8099:2000 Standard”



“Hands Free”
Screw Adaptor
“Pre, ISO 8099:2000 Standard”



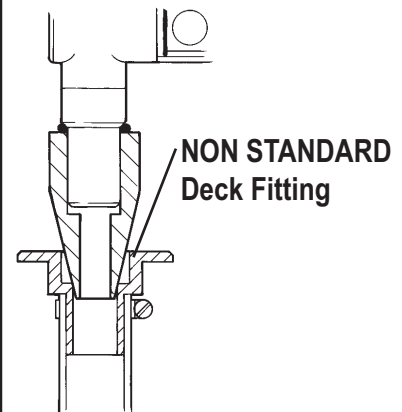
Requires Holding
Push-in Adaptor
“Non ISO Standard”



WHICH THREAD?

- 1: Measure outside diameter of cap threads (A)
- 2: Refer to the table for appropriate adaptor

O/D of Fitting Cap (A)	LeeSan Part No.
1 7/8-inch (47.6 mm)	02053
1 3/8-inch (41.3 mm)	01419
Other	01938



Efficient Pump-Out depends on a good Vacuum (good seal) LEESAN ISO Std. equipment uses “O” Rings to create the “optimum” seal! Where Non Standard deck fittings have been installed, LEESAN adaptors are available

For ISO Std. Deck Fittings see our: Data Sheet Pump-Out Deck Fitting,