

Pump Technology Ltd

Youngs Industrial Estate
+44-RG7 4PW Aldermaston
0118 9821555

amanda@pumptechnology.co.uk

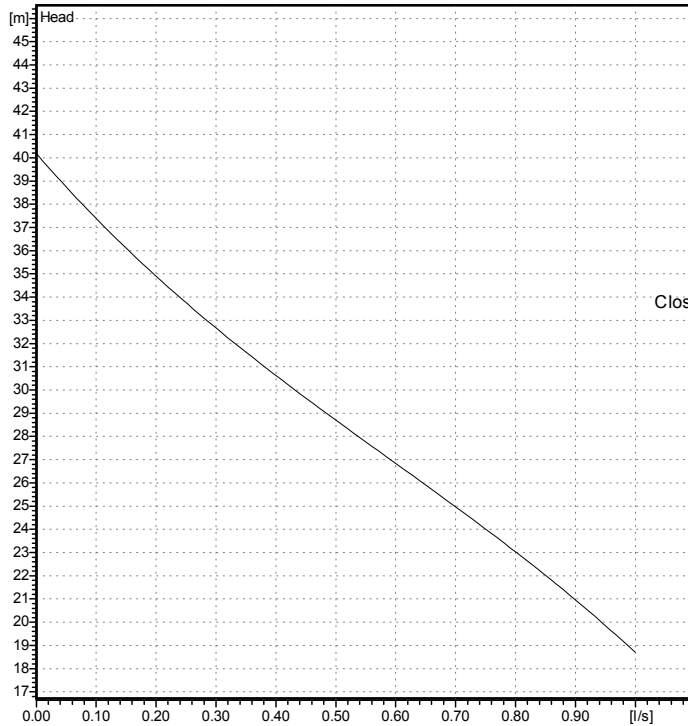
BGM5

Company	Pump Technology Ltd	Customer	Date	2017-03-15
Contact	Amanda Taplin	Contact	List price	On req.
Project		Phone number	Family code	
Project no.		Email	Item no.	107320010

Performance according to ISO 9906 - Annex A

Power data referred to:

Water, pure [100%] ; 277K; 1000kg/m³; 1.57mm²/s



Operating Data Specification

Flow	0 l/s
Head	0 m

Hydraulic data (duty point)

Flow	
Head	
Power input	

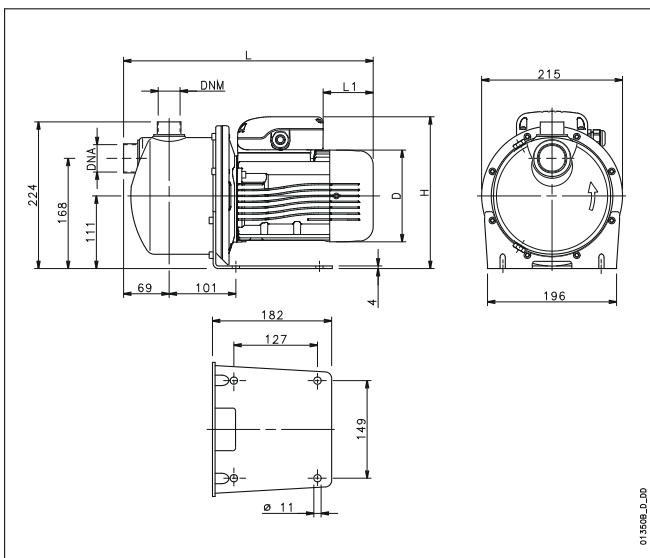
Pump data

Make	Lowara
Type	BGM5
Close-coupled self-priming centrifugal pumps with built-in ejector system.	
Speed	2900
Head H(Q=0)	40.2 m
Suction side	
Discharge side	
Types of installation	Monobloc
Weight	12 kg

Materials / seals

Pump body	Stainless steel
impeller	Stainless steel
Diffuser	Technopoly mer
Ejector	Technopoly mer

Shaft Seal



Motor data

Rated power P2	0.55 kW	Nom. Speed	2820 1/min
Frequency	50	Phase	1~
Rated voltage	230 V	Rated current	0 A
Protection class	IP 55	Insulation class	F
Permitted voltage tolerance +/- 10%			

Dimensions mm

D	140		
DNA	Rp 1 1/4		
DNM	Rp 1		
H	232		
L	380		
L1	76		

Note: