

S Pump and Vacuum Tank



Mobile living made easy.

S Series Vacuum Pump

Proven in thousands of motor yachts, this pump uses a bellows-style vacuum pump has been powering VacuFlush toilets for over 30 years. Connected to separate vacuum tank for unique applications.

Vacuum Tank

This tank stores a vacuum force to instantly clear a VacuFlush toilet bowl with every flush. To be connected between a VacuFlush toilet and a S or M series vacuum pump. It can be installed horizontally, vertically or suspended to accommodate any application.



	Part No:
S Pumps 12VDC	03052
S Pumps 24VDC	03053
Vac Tank	03043

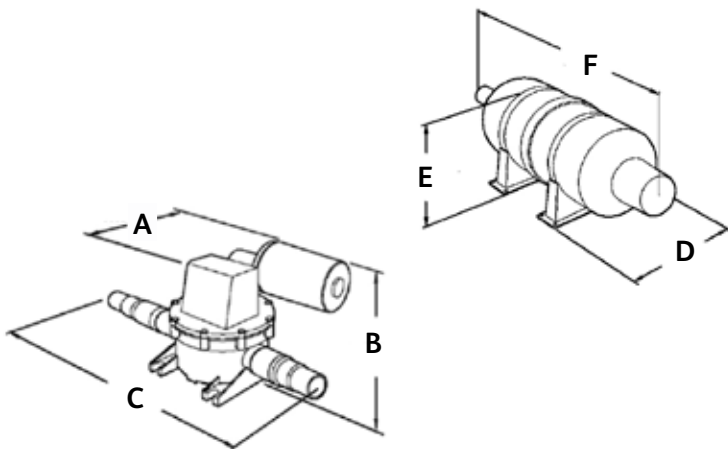
Technical Specifications

Amperage	12VDC	6 Amps
	24VDC	3 Amps
Circuit Breaker	12VDC	10 Amps
	24VDC	5 Amps

Dimensions

A	B	C	D	E	F
171	197	406	241	279	565

Dimensions in mm



Inlet Plumbing	Pipe ID	38mm / 1 1/2"
	Horizontal run max	15.2 metres
	Vertical run max	1.8 metres
Discharge Plumbing	Pipe ID	38mm / 1 1/2"
	Horizontal run max	15.2 metres
	Vertical run max	1.8 metres

Required Components - Spump	Vacuflush Toilet
	Vacuum Tank

Weight	S Pump	4 Kg
	Vacuum Tank	5 Kg