



Sanitation Holding Tanks

Produced & Manufactured
by



LeeSan

Marine • Welfare • Leisure

Custom “made to measure” Holding Tanks



After sending in your drawings or a mock up tank, LeeSan will talk you through your final design. The tanks are then constructed using a 3D model of your design and are produced from 10mm HDPE plastic by a computer controlled router and the latest hot gas extrusion welding system.

Rotary Moulded Holding Tanks

A cost effective way of producing holding tanks to nominal basic sizes
Our top quality standard tanks come in a range of sizes as blank rotary moulded units and are supplied without fittings to enable you to install exactly where you need them.

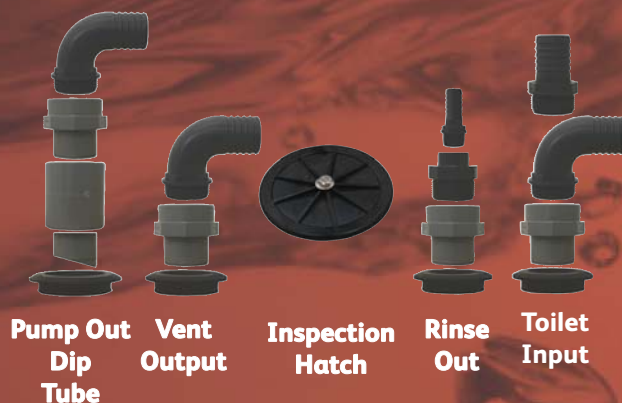


LeeSan Holding Tank Fitting Kit

Part No: 02634

Fitting Kit for Rotary Moulded Tanks

Incs: 3 x 1½" Uniseal (01543),
1 x 2" Uniseal (01544),
4 x 1½" adaptor female (01266),
1 x 1½" BSPM to ¾" BSPF adaptor (01623),
1 x straight socket 1½" (02008),
1 x inspection hatch (01585),
1m x 1½" rigid pipe (02013),
1 x 90° hose tail (01574),
2 x 1½" hose tail (01558),
1 x ¾" hose tail (01556)



Pump Out
Dip
Tube

Vent
Output

Inspection
Hatch

Rinse
Out

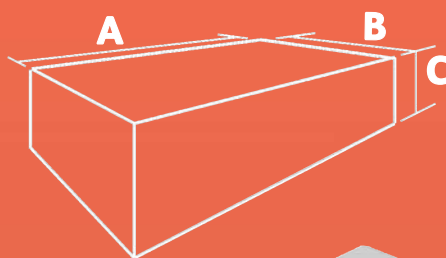
Toilet
Input

Rotary Moulded Holding Tanks

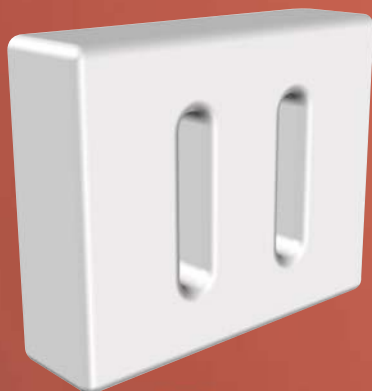
Dimensions

Standard Tanks

Part No	A	B	C	Gals	Ltrs
58BAS	830	350	240	12.7	58
02944	600	400	250	13	60
02943	400	400	400	14	64
20BAS	600	380	380	18.7	85
94BAS	850	400	320	20.6	94
22BAS	760	510	310	22	100
02942	830	530	240	23	105
30BAS	830	710	240	30.8	140
193BAS	1750	500	250	43	193
45BAS-A	1270	410	410	45	205
45BAS	1020	410	510	45	205
02941	1750	500	330	57	288
75BAS.1	1500	610	410	75	340



Baffled Holding Tanks

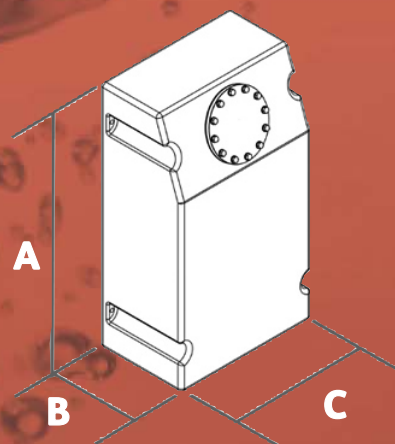


Part No	A	B	C	Gals	Ltrs
250LITREBLANK	1100	330	830	55	250
350LITREBLANK	990	750	520	77	350
400LITREBLANK	1250	360	1010	88	400
500LITREBLANK	1000	920	620	110	500
650LITREBLANK	1250	575	1010	143	650
800LITREBLANK	1250	1095	700	176	800
1000LITREBLANK	1590	1240	590	220	1000
1250LITREBLANK	1950	1250	620	275	1250

Don't forget to order our fitting kit 02634

Wall Mountable Holding Tank

Part No	A	B	C	Gals	Ltrs
04831	540	250	400	8.8	40
04832	400	250	750	13.2	60



Dimension in Millimetres

Flexible Sanitation Hose & Fittings



Microvent Holding Tank Breather Filter

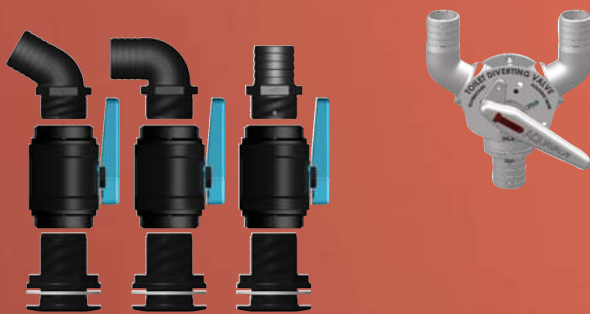


Pumps



Tank Level Indicators

Seacock kits & Diverter Valve



With over 25 years experience in the marine sanitation business, LeeSan has a reputation for fast, efficient and friendly service.

We can offer you considerable expertise in design, manufacturing, technical support and maintenance. With spares available for all the major toilet brands and the LeeSan brand products available from stock we can offer fast delivery worldwide!

Lee Sanitation Ltd
 Wharf Road, Fenny Compton,
 Warwickshire, CV47 2FE
 England
 T: +44 (0) 1295 770000
 F: +44 (0) 1295 770022
 sales@leesan.com
 www.leesan.com

LeeSan
 Marine • Welfare • Leisure

SANI MARIN

Rheinstrom
 Pumpenfabrik GmbH

Sealand
 by Dometic GROUP

JABSCO

HeadMaster

UVDB
 Approved by Ashites
 Supplier no: 8622

WORKING TOGETHER
 SHARING KNOWLEDGE
 PROMOTING SUSTAINABLE BOATING

The Yacht Harbour
 Association Ltd.

The Inland
 Waterways
 Association

BRITISH MARINE
 LEADING THE INDUSTRY