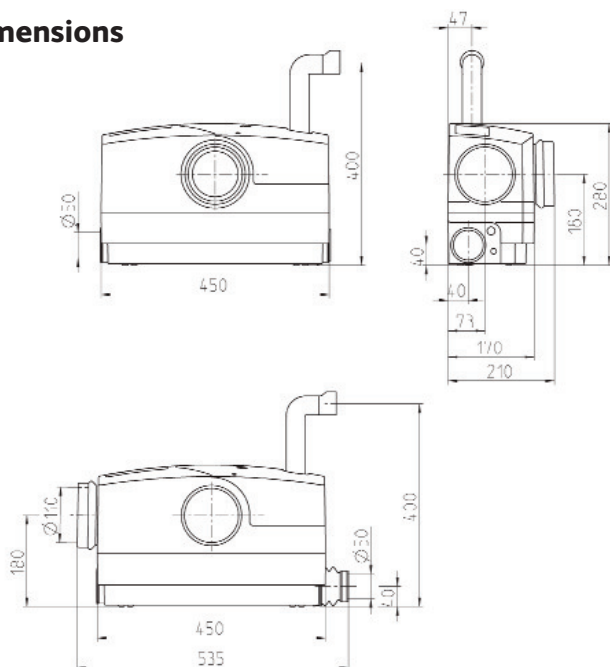


FlushMaster



Part No: FLUSHMSTR

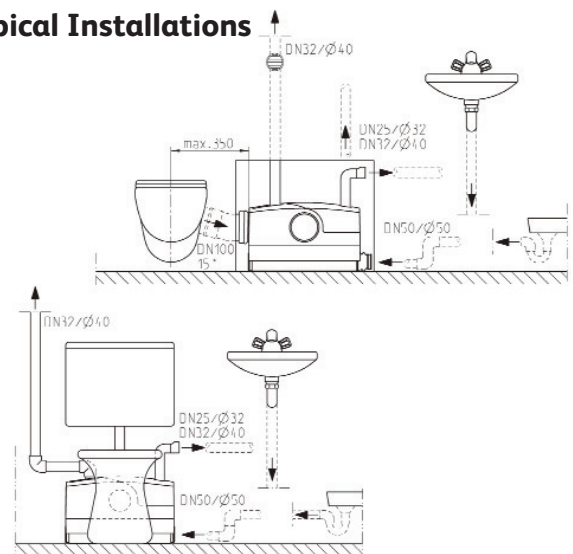
Dimensions



The **FlushMaster** enables you to install an additional bathroom with ease. With two inlets and a greater tank capacity, the **FlushMaster** can easily deal with a Toilet and wash basin or shower

- Powerful Vortex pump for double lift
- For pre wall installation or fitting directly behind a floor standing WC
- Powerful motor
- Low level additional inlets
- Quiet operation
- With integrated alarm system
- Discharge head capability of 9 meters
- Vent valve and activated carbon filter
- Maintenance friendly

Typical Installations



Technical Specification

Power Supply	240v
FLC (A)	3.9
Max Head (mtr) (Closed Valve)	9
Max Flow Rate (litre/sec)	3.4
Solids handling (mm)	19