

HeadMaster

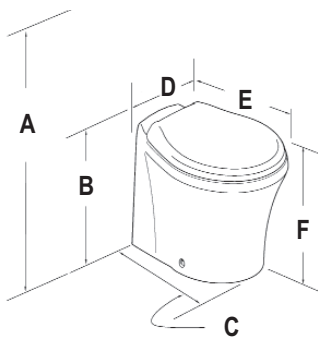
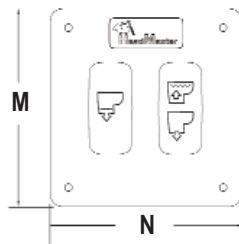


Part No:	12v	24v
Standard Height	09001	09002
Low Height	09003	09004

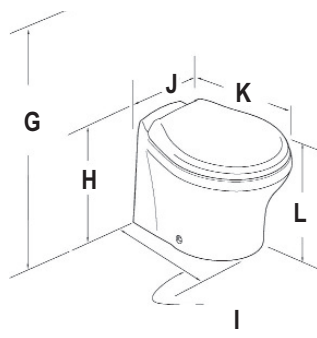
Dimensions:

A	851mm (33½")	G	775mm (30½")
B	457mm (18")	H	381mm (15")
C	406mm (16")	I	391mm (15½")
D	375mm (14¾")	J	375mm (14¾")
E	502mm (19¾")	K	502mm (19¾")
F	432mm (17")	L	356mm (14")

M	85mm (3¼")
N	75mm (3")



Standard Height



Low Height

The LeeSan **HeadMaster** is an extremely reliable, attractive and comfortable porcelain marine toilet, with all the styling of a domestic model.

The straight back, contemporary design of the **Headmaster** cleverly conceals all of the plumbing and the macerator mechanism to give a clean and smart appearance to your on-board bathroom

Two user controllable settings help manage your water consumption.

The "Normal" button allows you to add flushing water and evacuate the toilet bowl at the same time.

The "Dry Bowl" buttons allows you to either add more water or empty the bowl for dry bowl sailing when under way.

- Powerful and quiet macerator flush.
- Flat back-style ceramic fixture – fits neatly against interior walls.
- Standard domestic height toilet
- Through-the-floor and through-the-wall discharge fittings.
- "Normal" and "Dry Bowl" flush controls.

Technical Specifications:

Water Pressure	20 - 45 PSI	
Water Connection	½" BSP	
Waste Outlet	1½" (38mm)	
Max Horizontal Run	30m / 98ft	
Max Vertical Head	3m / 10ft	
Weight	26.5Kg	
Electric Consumption:	12 Volt	20 Amps
	24 Volt	10 Amps
Electric Circuit Breaker:	12 Volt	25 Amps
	24 Volt	15 Amps