

HeadMaster

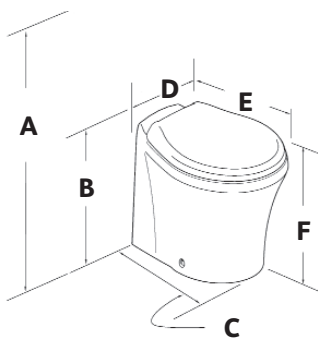
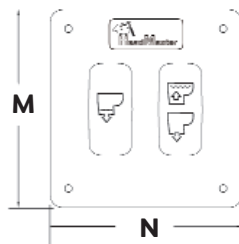


Part No:	12v	24v
Standard Height	09001	09002
Low Height	09003	09004

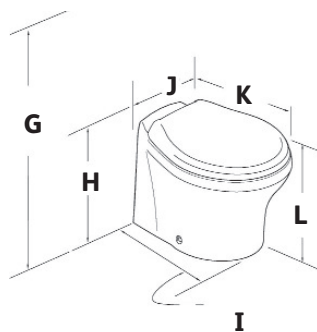
Dimensions:

A 851mm (33½")	G 775mm (30½")
B 457mm (18")	H 381mm (15")
C 406mm (16")	I 391mm (15½")
D 375mm (14¾")	J 375mm (14¾")
E 502mm (19¾")	K 502mm (19¾")
F 432mm (17")	L 356mm (14")

M 85mm (3¼")
N 75mm (3")



Standard Height



Low Height

The **LeeSan HeadMaster** is an extremely reliable, attractive and comfortable porcelain marine toilet, with all the styling of a domestic model.

The straight back, contemporary design of the **Headmaster** cleverly conceals all of the plumbing and the macerator mechanism to give a clean and smart appearance to your on-board bathroom.

Two user controllable settings help manage your water consumption.

The "Normal" button allows you to add flushing water and evacuate the toilet bowl at the same time.

The "Dry Bowl" buttons allows you to either add more water or empty the bowl for dry bowl sailing when under way.

- Powerful and quiet macerator flush.
- Flat back-style ceramic fixture – fits neatly against interior walls.
- Standard domestic height toilet
- Through-the-floor and through-the-wall discharge fittings.
- "Normal" and "Dry Bowl" flush controls.

Technical Specifications:

Water Pressure	20 - 45 PSI
Water Connection	½" BSP
Waste Outlet	1½" (38mm)
Max Horizontal Run	30m / 98ft
Max Vertical Head	3m / 10ft
Weight	26.5Kg
Electric Consumption:	12 Volt 20 Amps
	24 Volt 10 Amps
Electric Circuit Breaker:	12 Volt 25 Amps
	24 Volt 15 Amps