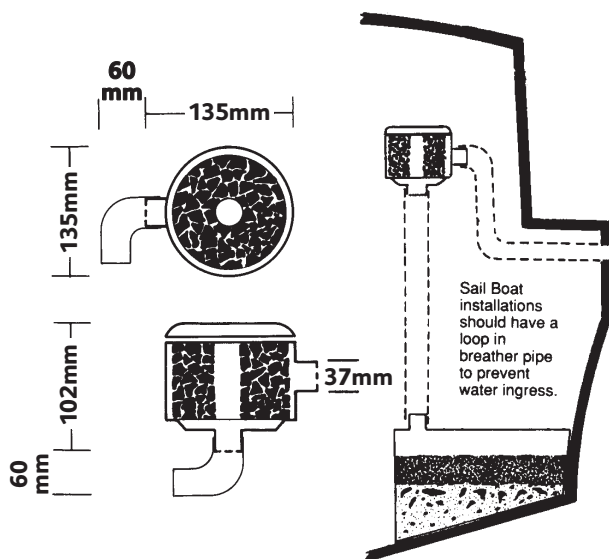


# Microvent

The MICROVENT filter should be installed within the breather pipeline in such a way as to minimise the possibility of it becoming directly in contact with solid or fluid contents inside the holding tank. To achieve this it is advisable to install the MICROVENT as high as possible within the system.

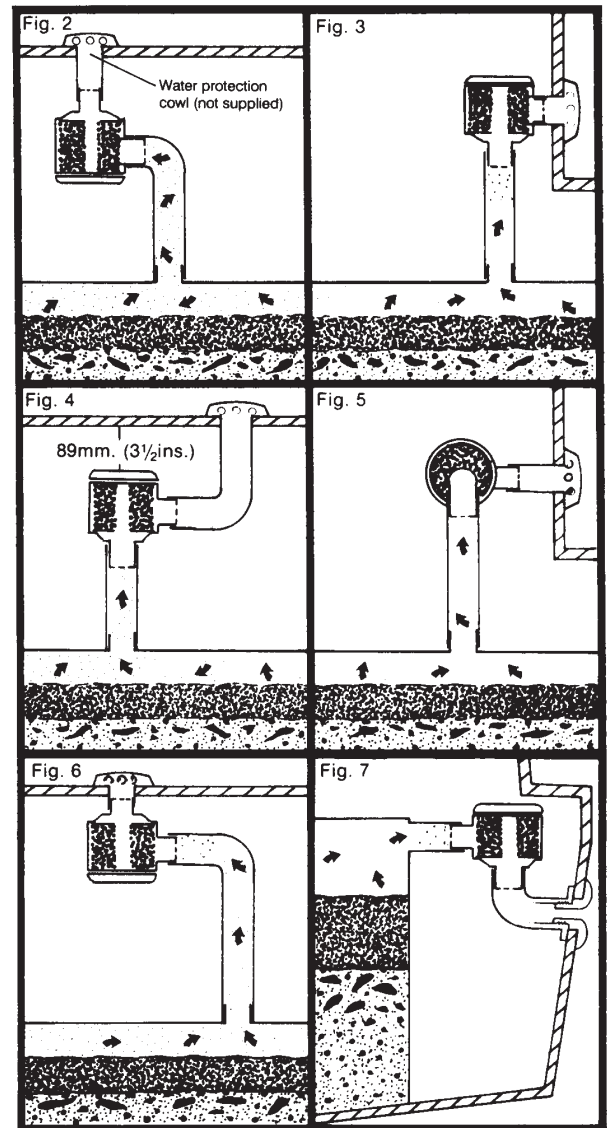


The **MICROVENT** can be mounted in any position as illustrated in figures 1 to 7.

It is only marginally preferable to have the air flow from the holding tank to the outside atmosphere, passing 'IN' through the central hose connection situated on the underside of the filter and 'OUT' through the side hose connection. However, where it is essential, or more convenient, then the foul air can be routed in the opposite direction.

Access must be available for the removing and replacing of the **MICROVENT** filter element. A minimum of 32mm. (1¼") clearance from any obstruction is required for the removal of the filter cover. The filter element itself is 95mm. (3¾") long and 100mm. (4") in diameter. Space must be provided to effect its removal from the **MICROVENT** body after the cover has been removed.

The hose connection elbow can be used on either connection to suit the installation as and when required. This should be clamped with the hose clamp provided.



Schematic illustrations are not to scale

The **MICROVENT** Activated Carbon Air Filter is suitable for Marine, Caravan, Commercial Vehicle and Site installations.

