

PARTS FOR RARITAN PHII AND PHEII MARINE TOILET

Part No.	Description	Part No.	Description
1115	3/8"-16 x 1 1/2" Hex Head S/S Bolt(2)	1106W	Coupling w/Sleeve, complete
1124	1/4"- 20 x 1/2" R.H. Machine Screw	1108A	Motor Mounting Nut (2)
1200CW	Pump Housing	1109*	Motor (12, 24, 32, 120V DC)
1201	Intake and Discharge Valve Ball (2)	1110	"O" Ring
1202	Intake and Discharge Valve Gasket (2)	1112	Link
1203BW	Intake Valve Body w/"O" Rings (1203B, 1203B1, 1203B2, 1203B3)	1113	Link Pin, Worm Gear Pin
1203W	Air Valve Assembly	1115	3/8" - 16 x 1 1/2" Hex Head S/S Bolt
1204B	Intake Valve Cap	1115A	3/8" - 16 Hex Jam Nut S/S
1206W	Handle	1116BW	Connecting Rod Assy. (1116B, 1114B, 1114D)
1209BW	Valve Handle	1117B	Crank Bolt
1210	Handle Socket	1118	Lock Washer (4)
1210A	Cotter Pin (4)	1119/1119A	Hex Head Screw (4)
1211PL	Piston Rod Yoke	1120W	Worm Gear Assy.(1111, 1113, 1120)
1212W	Piston Rod Assembly w/"O" Ring (1232MS)	1122	"O" Ring
1213W	Piston Rod Seal Assembly, Pre-6/92, (Incl. 1213A, B, C, D)	1123	Gear Box Cover
1213A	"U" Cup Seal (Pre-6/92)	1124	1/4" - 20 x 1/2" R.H. Machine Screw(4)
1213B	Delrin Washer (Pre-6/92)	M23A	#10 Lockwasher S/S (2)
1213C	Snap Ring (Pre-6/92)		
1213D	White Neoprene Washer (Pre-6/92)		
1214W	Piston Shaft Seal Cartridge Assy (1214, 1214A, 1214B) Fits pumps mfg. after 6/92		
1216	Clevis Pin (3)		
1217	Discharge Valve Cap		
1218	Fulcrum Link (2)		
1222AW	90° Discharge w/Flange (Std.)		
1222B	Straight Discharge (Opt.)		
1223B	Flange Nut 3/8"-16 S/S (2)		
1226	Housing Screw 1/4"-20 x 1" S/S (4)		
1226B	Nut, 1/4"-20 S/S (8)		
1228CW	Flapper Valve Assembly (1/2" Holes)		
1232MS	Piston "O" Ring		
1234	Bowl Gasket		
1236E	Bowl Elbow		
1246W	Base Cover (2 pcs.)		
1248W	Base w/Plug		
1249	Base Plug		
1250W	Base and Cover Assy.(1246W and1248W)		
C253	Joker Valve		
CH42	Hose (3/4" I.D.)		
CH43P	Hose Clamp (2)		
F005	1/4"- 20 x 5/16" S/S Socket Set Screw		
F081	Bowl Bolt 1/4"-20 x 2 S/S Hex head		
LWS	Intake and Discharge Valve Spring (2)		
RNI	Nylon Shoulder Washer		

PHC PARTS

Part No.	Description
1226A	Housing Screw 1/4"-20 x 1 1/4" S/S (4)
1226C	Plastic Spacer Washer (4)
1301PW	Toilet Base Assembly (1301P, 1343)
F081	Bowl Bolt 1/4"- 20 x 2" S/S Hex head

RARITAN INSTALLATION ACCESSORIES

Part No.	Description
163000	In-Line Strainer
164000	Push button switch
1PCP22	C.P., Cleans Potties, Bio-enzymatic, 22 oz.
CHTII	Compact holding tank - 5 gallons
CON22	Concentrate 22 oz. bottle
SH	Sanitation Hose (sold by the foot)
SL	Super Lube 1/2 oz. tube
TWK	Toilet Water Marine Head Disinfectant Kit
VL 3/4	Vented Loop 3/4"
VL 1 1/2	Vented Loop 1 1/2"
YV	"Y" Valve

BOWL & SEAT

Part No.	Description
1236AW	Spud assy.
1237W	Marine-size Bowl assy.
1244W	White Household-style Bowl assy.
1238A	Marine-size seat & cover
1245	Household-style seat & cover
1PCP22	Clean Potties, Bio-enzymatic, 22 oz.
VCAP	Vinyl Cap

OVERHAUL KITS

Part No.	Description
PHRKII	PHII&PHEII-U-cup Seal (mfg.before6/92)
PHRKIIC	PHII&PHEII-Cartridge Seal (mfg.after 6/92)
PHIIPUMP	PHII Pump replacement assembly

*Specify Voltage

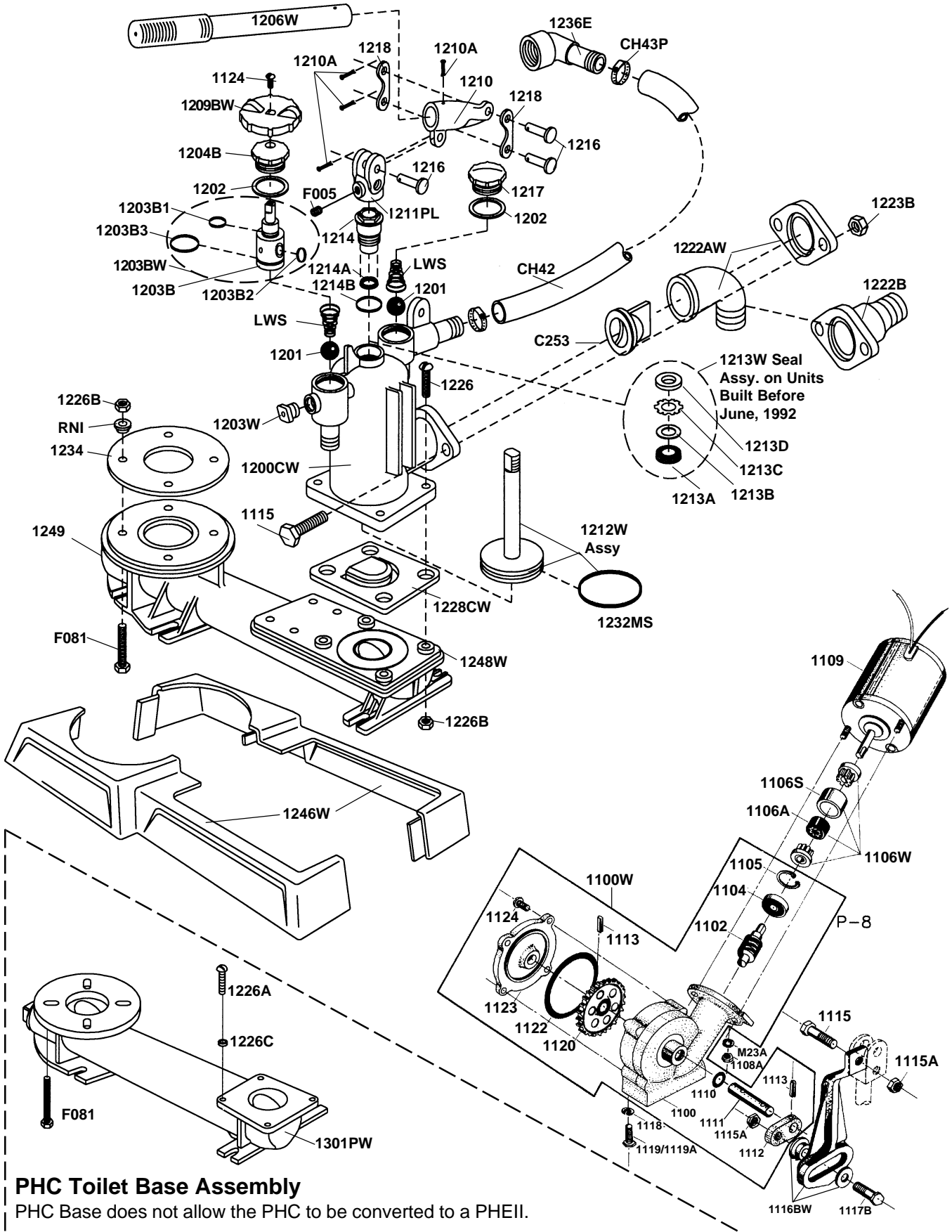
PARTS FOR ELECTRIC DRIVE

Part No.	Part Name
1100W	Gear Box Housing Assembly
1102	Worm
1104	Ball Bearing
1105	Snap Ring
1106AS	Rubber Connection w/Sleeve



530 Orange Street, P.O. Box 1157, Millville, NJ 08332 USA
 Telephone: 856-825-4900 FAX: 856-825-4409
 www.raritaneng.com
 Southern Office and Plant:
 3101 SW Second Avenue, Fort Lauderdale, FL 33315 USA
 Telephone: 954-525-0378 FAX: 954-764-4370

EXPLODED PARTS VIEWS, PHII MARINE TOILET AND PHECKII ELECTRIC CONVERSION UNIT



PHC Toilet Base Assembly

PHC Base does not allow the PHC to be converted to a PHEII.