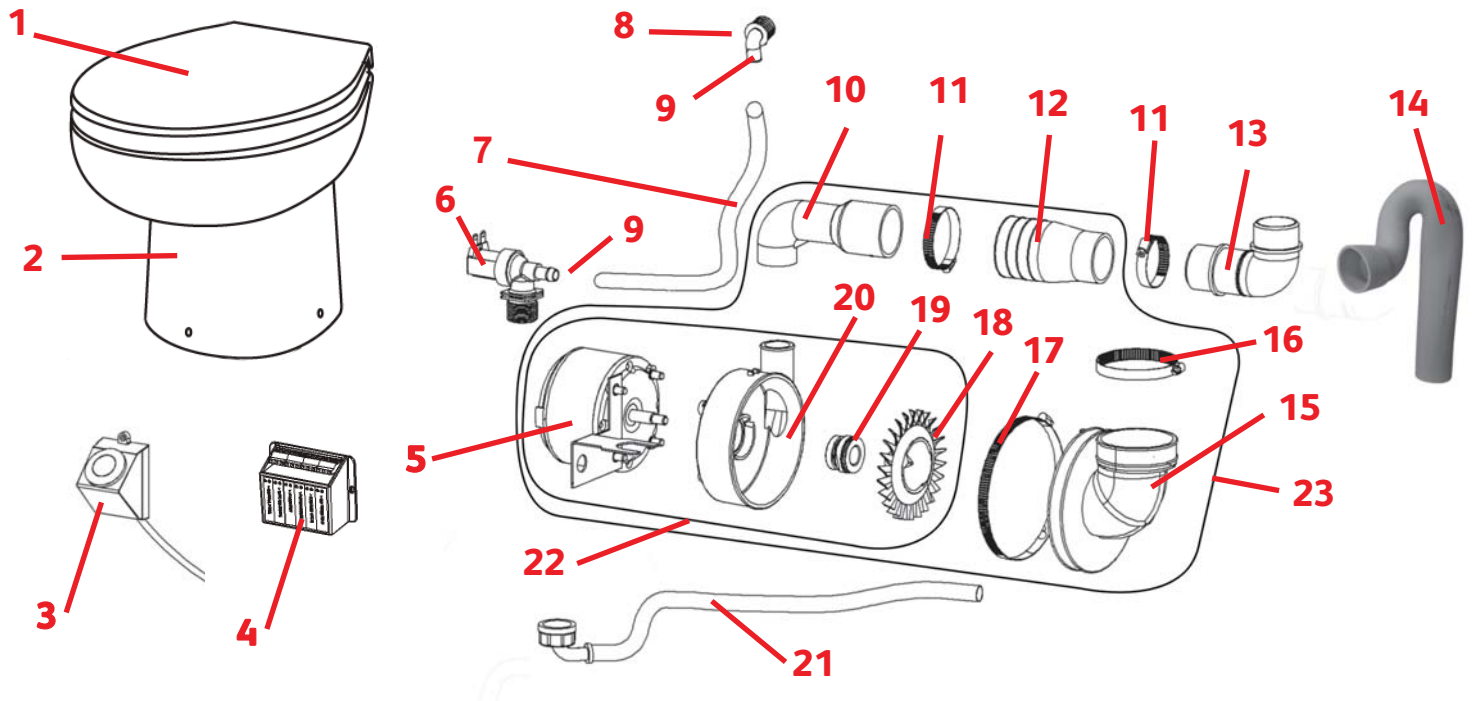


Sanimarin SN31 Comfort Plus



Item	Part No:	Description	Item	Part No:	Description
1	08424	DuroPlastic Seat and Lid Soft Close function	12	02735	Non Return Valve
	03213	Seat & Lid, Marine, Laminated Resin	13		Discharge Elbow
2	02589	SN31 Porcelain Bowl	14	02795	Downward Discharge Swan Neck
3	01638	Start Air Button	15	02784	Siphon Pipe
4	03215	Comfort Plus, Electronic Box	16	01656	Clamp 60-80
5	09895	Motor 12v	17	02785	Clamp 110-130
	09896	Motor 24v	18	03568	Impellor
6	01644	Solenoid Valve 12v	19	09889	Mechanical Seal
	01645	Solenoid Valve 24v	20	09888	Pump Housing
7	01787	Water Inlet Pipe - Bowl Delivery	21	01326	Water Inlet Hose - Soleniod Delivery
8	01785	Water Inlet Elbow	22	09890	Motor / Impellor Assembly 12v
9	01786	Hose Clip 15.7		09891	Motor / Impellor Assembly 24v
10	02783	Discharge Elbow	23	03207	Motor / Pump Assembly 12v
11	01791	Hose Clip 50-70		03208	Motor / Pump Assembly 24v