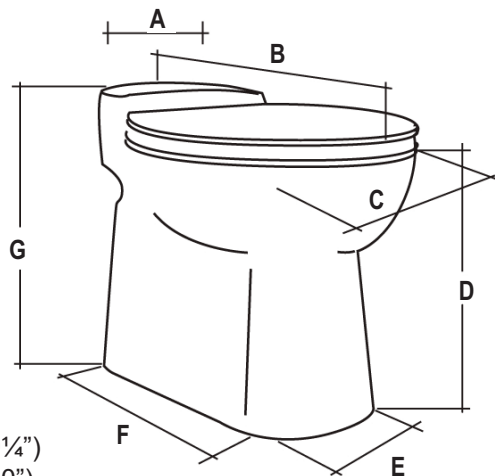


## Sanimarin C48



Part No: 02335 ~ 12v, 02336 ~ 24v

### Dimensions:



A	235mm (9¼")
B	510mm (20")
C	368mm (14½")
D	405mm (16")
E	220mm (8½")
F	463mm (18")
G	473mm (18½")

## SANI MARIN

### PUMPED ELECTRIC, MACERATOR TOILET

The C48, Sturdy, reliable and comfortable, the Sanimarin C48 plays its part as a real traditional toilet and provides an ideal compromise between comfort and practicality compact in depth for those confined bathroom spaces. Quiet and effective.

Discharge is through conventional 1" - 1½" hose. Exceptionally easy to install with fresh water for flushing supplied by connection into the boat's water pressure system.

Will discharge to a higher head than most other toilets.

- Dual Flush Operation  
1.2 Litre (Econo-flush) 2.2 Litres (Normal flush)
- Minimal Routine Maintenance
- Easy to Clean
- Very Quiet
- 2 Year Guarantee

### TECHNICAL SPECIFICATIONS:

Water Consumption	1.2 to 2.2L
Water Pressure	20 - 45 PSI
Water Connection	¾" BSP
Waste Outlet	1" or 1½" (25 or 38mm)
Electric Consumption:	12 Volt 20 Amps
	24 Volt 10 Amps
Start-up-surge:	12 Volt 133 Amps
	24 Volt 69 Amps
Weight	12 Volt Motor 260 Watts
	24 Volt Motor 260 Watts
	23.8Kg