

SaniMarin EXCLUSIVE

SANI MARIN



Part No (Model):	Medium
230ACV	03194

To find the most adapted solution to modern requirements and the ever-more luxurious needs of the designer market, **SaniMarin** has developed the **Exclusive** range.

This **Exclusive** model offers a full SFA Keypad with 2 flushing cycles

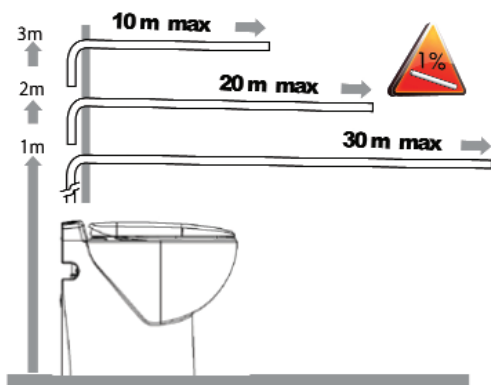
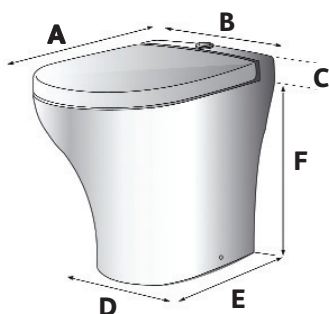
The **Exclusive** Medium toilet with its stylish lines, complete with built in macerator that is a perfect fit for making your small cloakroom an additional contemporary room

- Dual Flush Operation
3.8 Litre (Econo-flush) 4.8 Litres (Normal flush)
- Minimal Routine Maintenance
- Easy to Clean
- Very Quiet
- 2 Year Guarantee

Dimensions:

Medium

A	520mm (20½")
B	355mm (14")
C	50mm (2")
D	250mm (10")
E	350mm (13¾")
F	430mm (17")



TECHNICAL SPECIFICATIONS:

Water Consumption	3.8 to 4.8L
Water Pressure	20 - 45 PSI
Water Connection	¾" BSP
Waste Outlet	1¼" (32mm)
Waste Discharge Head	3m Max (Vertical)
Waste Discharge Dist.	30m Max. (Horizontal)
Electric Consumption:	230 ACV 2.5 Amps
Power Consumption	50Hz (5 amp Fuse) 550Watts
IP Rating	IP44
Weight	26Kg