

Whale Gulper Waste Diaphragm Pump



Whale Gulper® Toilet Pump

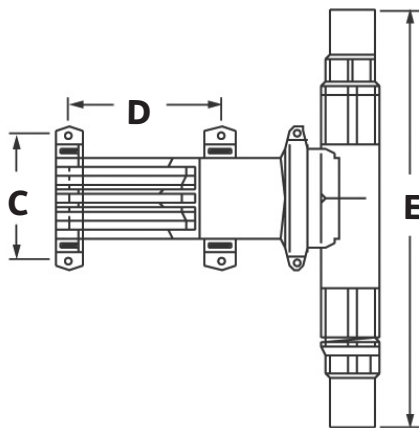
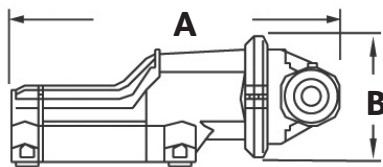
For holding tank electric pump out / discharge
No clog, no filter waste pump built on more than
a decade of market leading pump technology
- Pumps un-macerated toilet waste

- Runs dry without damage
- Up to 18 ltrs (4.75 US gal) per minute
- Virtually unblockable
- Rotatable inlet and outlet - allows you to install in awkward locations
- Self priming up to 3 m (9.8 ft) - mount the pump in the most convenient part of boat
- Pumps a mixture of air and waste
- Easy to maintain
- Ideal for holding tanks and vacuum systems

Model:	12v	24v
Waste Diaphragm Pump	02384	02710

Dimensions:

A	289mm
B	117mm
C	111mm
D	136mm
E	360mm



Technical Specifications:

	12v	24v
Weight	2.12 Kgs	2.12 Kgs
Rec. Fuse Size	10 Amps	5 Amps
Dry running Current	5.5 Amps	2.25 Amps
Max. Suction Lift	3m	3m
Max. Discharge head	3m	3m
Max. Dis'ge head & Suction Lift	3m	3m
Hose Connections	38mm	38mm

Performance Data:

Suction Lift	0m	1m
Discharge Head	1m	1m
Hose size	38mm	38mm
Flow Rate/ Minute	17.5 ltrs	16.5 ltrs
Current Draw (12 V d.c.)	6.5 amps	7.1 amps
Current Draw (24 V d.c.)	3.25 amps	3.55 amps