

GUSHER URCHIN

FEATURES

- Self primes when dry
- Can pump many liquids including diesel and light lubricating oil
- Pump head may be orientated in any direction
- Lightweight and robust
- Handle adjusts to any direction
- Heavy-duty version has aluminium external parts
- Versions for chemical pumping

Compact Transfer Pump



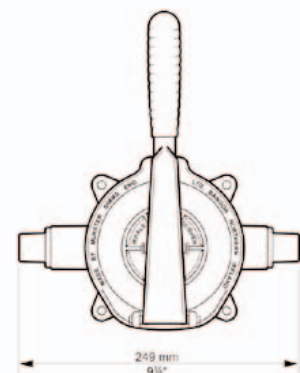
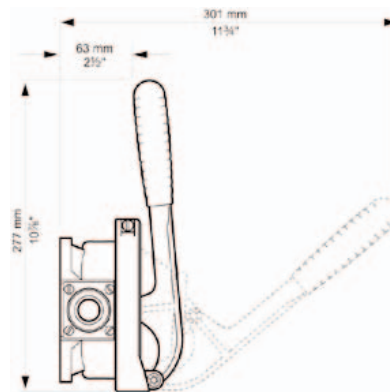
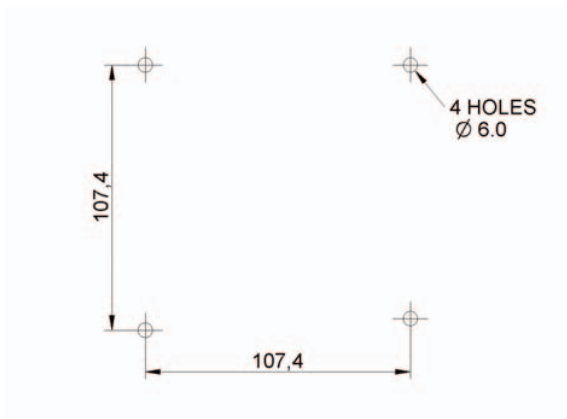
ND9010



ND9210

MODEL	ND9010	ND9210
Hose Connections	25mm/38mm Stepped hose tail Smooth hose connections	
Weight	600g	1000g
Maximum Lift	4 metres	4 metres
Maximum Head	3 metres	3 metres
Materials	Materials in contact with liquid: Moulded acetal, copolymer, glass filled polypropylene, nylon, stainless steel, Nitrile diaphragm External Materials: Diaphragm clamping ring & handle acetal co-polymer	Materials in contact with liquid: Moulded acetal, copolymer, glass filled polypropylene, nylon, stainless steel, Nitrile diaphragm External Materials: Diaphragm clamping ring & handle aluminium
Service Kits	AK9011 Nitrile diaphragm, valves and circlips SK9004 Butyl rubber diaphragm, valves and circlips SK9005 Viton rubber diaphragm, valves and circlips	

NOTE: For chemical compatibility please contact distributor



GUSHER URCHIN

GUSHER URCHIN Output in Litres per minute					
Lift in metres	Head in. metres	At 60 Strokes/minute 25mm	At 60 Strokes/minute 38mm	At 90 Strokes/minute 25mm	At 90 Strokes/minute 38mm
1	0.5	36*	49	47	68
2	0.5	33	46	44	64
3	0.5	31	43	40	55

* Stroke Volume 600ml

Tests carried out using cold water

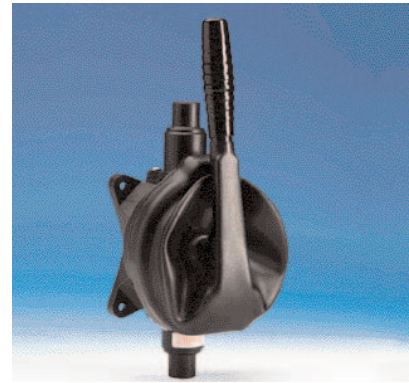
Industrial Urchin Models



Telescopic pipe,
bung adapter, nozzle



Barrel Use



Splash guard

Chemical Transfer: Urchin Pumps are available for pumping acid and alkeline liquids, Hydrochloric Acid, Sulphuric Acid and Sodium Hydrochloride. For use with these and other chemicals contact Whale Pumps for details.