

Bilge IC



Pre-wired Easy Access Remote Mounted Bilge System (4 in 1) with automatic intelligent control built in

Save time and money by reducing four separate components to one pre-wired system. Remote mounting automatic Gulper IC receives signals from Strainer IC and switches on and off automatically

Secure Mounting Ezi-clamp
Twist and single screw to secure

Simple Installation
Integrated non return valve

Drain down to 6mm / 1/4"
- 45 second run on time

Strainer IC
with IC electronics built in

Fully Protected Pump
with integrated electronics - intelligent control



Easy clean strainer

Ease of Installation
Head rotates 360°
to suit your installation

Secure Mounting
Securing strap ensures pump remains in place in marine conditions

COMPLETE 4 in 1 PRE-WIRED SYSTEM

Complete your system intelligent pump, strainer, non return valve and intelligent digital switch in one

Product code: see table

3 feet design
- Only 3 screws to fit

Features and Benefits

WHY Bilge IC?

- Pre-wired and assembled - just connect power
- Remote mounted pump for easy inspection
- Soft start - protects the pump for long life
- Small footprint strainer fits into very confined bilge spaces
- Low current controlled switching - no switch failure from high currents
- On/off delay - prevents cycling
- Environmentally friendly - no mercury
- Time delay to allow for optimum drainage
- Override wire included to allow for manual activation

3 Year Warranty

Tips It is important to ensure that a vented anti-syphon loop is incorporated in the system



Awards and Accreditations

- Conforms to ISO 8849 and ISO 15083
- Ignition protected per ABYC and USCG standards
- CE certified
- EMC compliant
- NMMA type accepted



COMPLETE YOUR SYSTEM

For bilge system accessories- see page 48 - 51

YOU MAY ALSO LIKE

Grey IC and Gulley IC – Automatic Grey waste pump kits with automatic intelligent control built in – see pages 96 and 98



Product Information



Model Specifications

Model	Bilge IC	
	SI8284	SI8484
Product Code	SI8284	SI8484
Voltage	12 V d.c.	24 V d.c.
Voltage Range	10 V to 13.6 V d.c.	21.6 V to 27.2 V d.c.
Recommended Automotive Fuse Size	10 Amp	5 Amp
Minimum Wire Size	1.5 mm ² (16 AWG)	
Cable Length	4m (12ft)	
Current Profile	Soft start / stop	
Weight	2.6kg (6.5 lbs)	
Current Draw on Standby	Low power 0.01 Amps supply	
Maximum Suction Lift	3m (10ft)	
Maximum Discharge Head	3m (10ft)	
Lift/head Combined	4m (12ft)	
Hose Connections	Gulper® IC - Barbed connections, 3/4" (19mm) or 1" (25mm) Strainer IC - 3/4" (19mm)	
Port Orientation	Horizontal (Easily changed to vertical)	
Connectors	IP68, Waterproof Quick Connect 7 way (directly onto Gulper® IC)	
Materials	Pump Head: Glass-filled Nylon, Valves - Nitrile®, Diaphragm: Santoprene®	
Materials in Contact with Fluid	Glass-filled Nylon, Nitrile®, Santoprene®	
Service Kits	AK2050 – Replacement Pump Head (available separately)	
Run on Time	45 seconds	

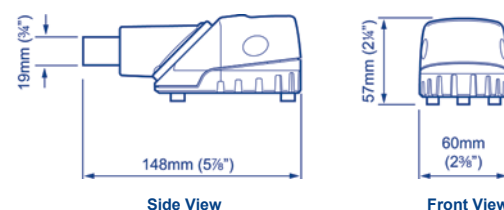
Performance Data

	0m	0m	1m (3ft)	1m (3ft)
Suction Lift				
Discharge Head	1m (3ft)	1m (3ft)	1m (3ft)	1m (3ft)
Hose Size	3/4" (19mm)	1" (25mm)	3/4" (19mm)	1" (25mm)
Flow Rate/Minute	300 US GPH (19 ltrs/min)	276 US GPH (17.5 ltrs/min)	270 US GPH (17.4 ltrs/min)	246 US GPH (15.5 ltrs/min)
Current Draw (12 V d.c.)	7.5 amps	8 amps	7.5 amps	8 amps
Current Draw (24 V d.c.)	3.25 amps	4 amps	3.25 amps	4 amps

Note: Maximum vertical lift not more than 3m (10ft)

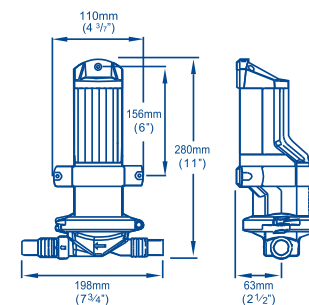
Note: For wiring advice on your installation, please contact Whale.

NOTE: These specifications are retail items only. For details of our bulk pack range for boat builders and wholesalers - contact Whale Support



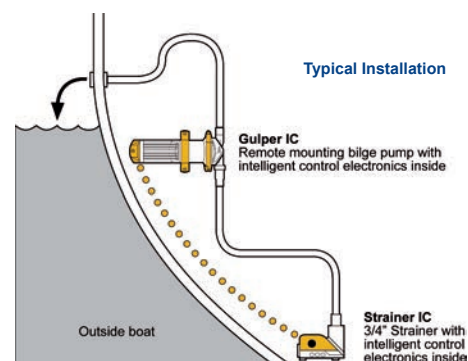
Side View

Front View



Plan View

Side View



Typical Installation