

Jabsco Par Manual



Manual 'Twist n' Lock' toilet

Toilet may be installed either above or below the waterline and may discharge waste overboard or to a holding tank.

Double action piston pump.

Twist "N" Lock action safety handle guards against flooding and waste backflow by locking the waster outlet valve shut

Renewable external seal housing and piston rod guide.

Automatic vacuum breaker operated by flush control lever.

Aortic joker valve combines full 38mm (1½") bore with automatic back flow prevention.

Reversible pump mounting allows re-assembly for left hand installation.

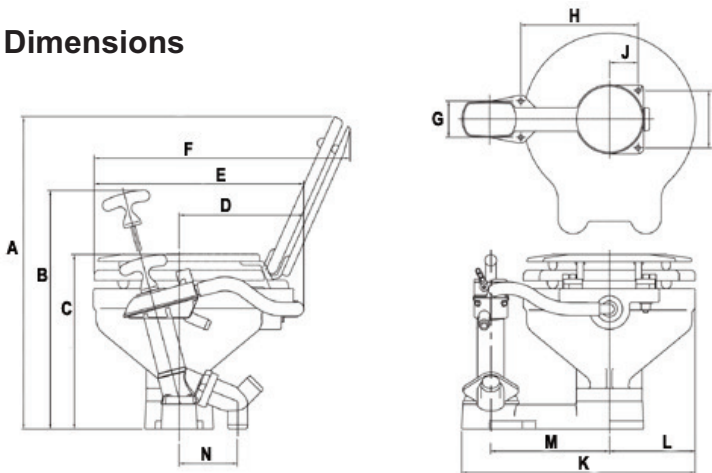
Flushing pump self-primers from dry up to 1 metre (3ft) below inlet hose tail.

Waste pump discharges up to 3 metres (9ft) above outlet elbow.

Bowl moulded in glazed ceramic, pump and base moulded in high impact ABS plastic with selected parts in acetal resin, fitted with stainless steel fastenings, brass weights and neoprene seals and gaskets.

	Part No:
Marine Bowl	05000
Large Bowl	05005

Dimensions



TECHNICAL SPECIFICATIONS:

Water Connection Inlet	¾" BSP
Waste Outlet	1½" (38mm)
Weight	9.5Kg (05000) 10.9Kg (05005)

Part No:	A	B	C	D	E	F	G	H	I	J	K	L	M	N	
Marine Bowl	615	458	335	247	425	485	70	225	110	55	450	165	230	105	mm
05000	24¾	18	13½	9¾	16¾	19	2¾	8¾	4	2½	17¾	6½	9	4⅞	ins
Large Bowl	700	458	345	280	490	580	70	225	110	55	465	180	230	105	mm
05005	27½	18	13½	11	19½	22¾	2¾	8¾	4⅓	2½	11⅓	7	9	4⅞	ins