

PAR-Max Water Pressure Pumps



PAR-Max Automatic Water System Pump

Features

- Smooth Flow
- Self-Priming up to 10 feet (3m)
- Dry running capability
- Soft noise absorbing mounts
- Snap-fit port fittings
- Built-in bypass — less pulsation
- Reduces need for accumulator tank
- Corrosion resistant materials
- Thermal overload protection
- Motor rating: IP 54
- CSA listed
- ISO 8846 MARINE (ignition protection)

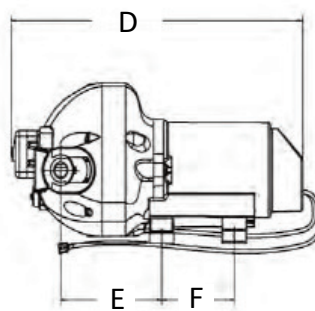
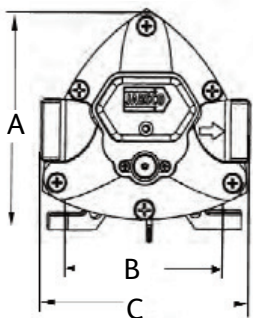
12VDC
24VDC

Part No:
02508
02509

Technical Specifications

Weight		1.6 Kg
Voltage		12 or 24 Vdc
Power		26.4 Watts
Rec Fuse Size	12Vdc	10 amps
	24Vdc	5 amps
Amp Draw	12Vdc	4.4 amps
	24Vdc	2.2 amps
Ports	Inlet	13mm, ½ BSP
	Outlet	13mm, ½ BSP
Open WaterFlow Rate		11 Litres/Minutes
Max Pressure		25 psi
Max Temperature		70°C

Dimensions



A	121mm	D	229mm
B	80mm	E	80mm
C	105mm	F	63mm