

Blakes Lavac Popular



LAVAC

THE LAVAC POPULAR MARINE TOILET

The bowl, seat and lid of this model have been engineered to reduce production costs. the POPULAR gives continuous, trouble-free service, above and below the water line. After use, simply close the lid and then operate the pump. As waste is pumped out, the bowl is sealed creating a vacuum, which draws in the flushing water. It's as simple as that!

- Unique hand and electric system available on same toilet
- Easy to operate, maintain and clean.
- Flushing requires very little water.
- The powerful pump is mounted separately and can cater for the smallest, most constricted compartments.
- The discharge outlet may be mounted to the left, right or rear of the toilet.
- The Lavac is ideal for use with a holding tank.

THE LAVAC SELF PRIMING ELECTRIC PUMP

12 volt or 24 volt D.C. versions available. Can be fitted in series with a hand pump as a stand-by. Very quiet, available with time switch. Manufactured from corrosion resistant, marine grade materials and designed to give long, trouble-free service. The quick release cover enables inspection and clearance without stripping.

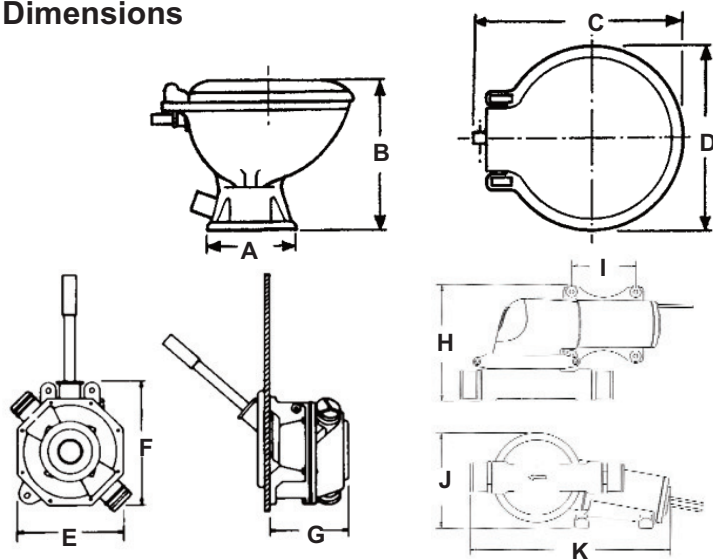
THE LAVAC SELF PRIMING HAND PUMP

T/A: On/face of Bulkhead, or U/D: Behind Bulkhead versions. Manufactured from corrosion resistant, marine grade materials and designed to give long, trouble-free service. The quick release cover enables inspection and clearance without stripping. Designed to move sludge and solids, this diaphragm pump is also able, using a two-way valve, to clear holding tanks and bilges. The two-way valve is available as an accessory

Part No:

Popular C/W U/D Pump	04300
Popular C/W T/A Pump	04301
Popular C/W 12V Pump	04302
Popular C/W 24V Pump	04303

Dimensions



A	B	C	D	E	F	
185	352	416	343	170	200	mm
7.3	13.9	16.4	13.5	6.6	7.9	ins
G	H	I	J	K		
140	161	89	132	278		mm
5.5	6.3	3.5	5.2	11		ins