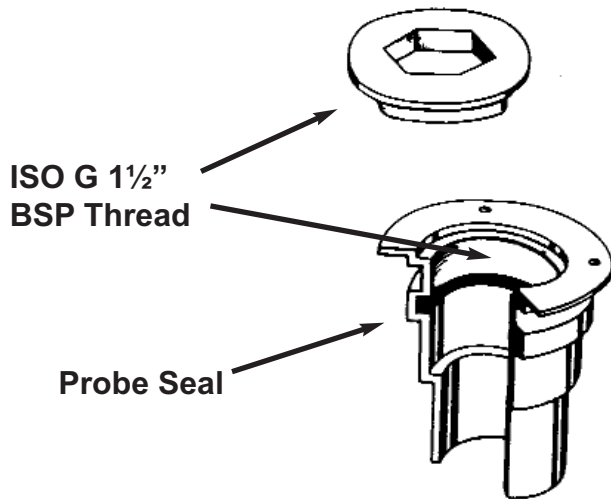


## Pump Out Deck Fitting

Pump-out deck fitting with International standard thread and facility for “push-in” connector Conforms to ISO 8099:2000  
No connection adaptor required

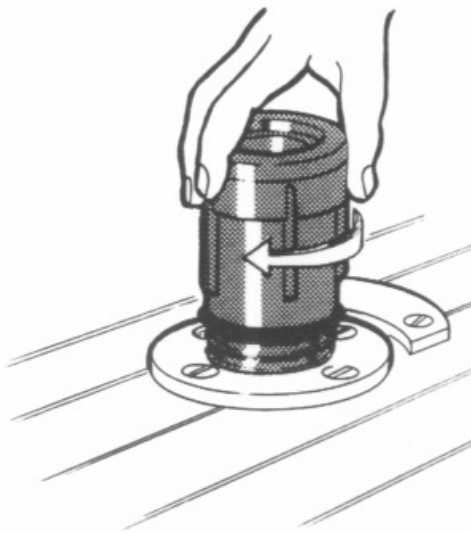


### Quayside pump-out connections

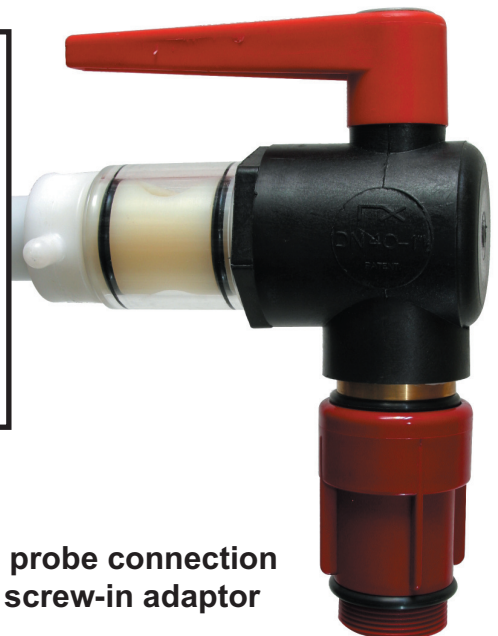
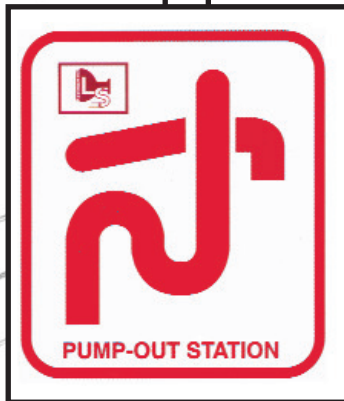
The original international standard stipulated a threaded pump-out deck connection. To connect with this a threaded adaptor is required. The Standard was revised in 2000 and the New ISO system is free of loose adaptors.

The revised standard, ISO 8099, is compatible with both the original screw connection and the latest push-in system. However, if the boat deck pump-out fitting is not to the ISO 8099:2000 Standard a connection adaptor is required.

An adaptor may be available from the boat yard, which is providing pump out service, but it would be sensible for boat owners to carry one themselves.



Screw adaptor for Push-in  
ISO 8099:2000 connection



Push-In probe connection  
using a screw-in adaptor

Connector to make tight seal between deck and pump-out fitting - available from a good chandlery.