

## Stainless Steel Deck Fittings



### PUMP-OUT DECK FITTING

- Conforms to International Standards
- Connects to Probe and Screw quayside fittings
- 'O' ring in housing ensures good seal to probe
- Marine quality 316 Stainless Steel
- Standard 16mm (5/8") hexagon cap key
- Easily replaceable "O" ring
- For 38mm (1 1/2") 50mm (2") or 63mm (2 1/2") hose

Hole Dia. 65mm Flange Dia. 100mm

### RINSE-OUT DECK FITTING (Small dia. water fill)

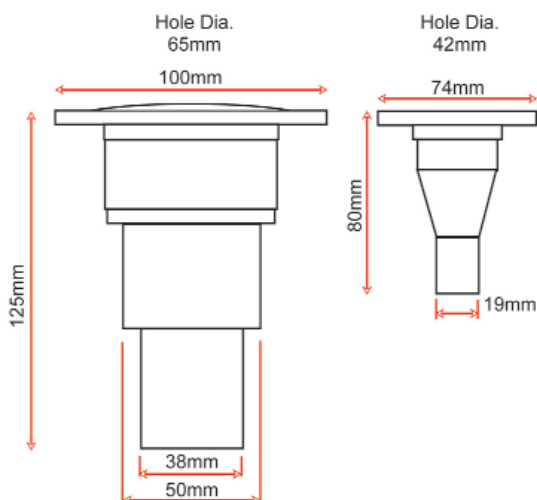
- Tapered throat grips hose
- Hose tail for 19mm (3/4") deck to tank hose
- Marine quality 316 Stainless Steel
- Standard 16mm (5/8") hexagon cap key

Hole Dia. 42mm Flange Dia. 74mm

Pump Out	02989
Rinse Out	03854
Deck Key	02040

### NAME PLATES (ISO STD.)

Lee Sanitation manufacturers a label that satisfies the requirements for both of these symbols and should therefore be recognised Worldwide. This label can be supplied with exported fittings.



### Hose Tail - PUMP-OUT

Inside Dia. Hose  
 1 1/2" (38mm)  
 2" (50mm)  
 2 1/2" (63mm)

### Hose Tail - RINSE-OUT

Inside Dia. Hose  
 3/4" (19mm)