

## Sanimarin EXCLUSIVE

# SANIMARIN



To find the most adapted solution to modern yachting requirements and the ever-more luxurious needs of the pleasure boat market, **SANIMARIN** has developed the **Exclusive** range.

The range comes in 2 models, Exclusive Short and Exclusive Medium: aside from a modern design, they also offer a new, more powerful flushing system.

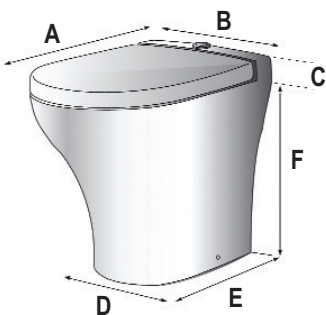
These **EXCLUSIVE** models offer a full **SFA** keypad with 2 flushing cycles, as well as an "empty" button to empty the tank in choppy seas

The Exclusive Medium toilet is now SANIMARIN's top of the range toilet, satisfying both legitimate needs for modernity thanks to a modern design and a permanent quest for comfort on board.

Part No(Model):	Short	Medium
12v	03190	03192
24v	03191	03193

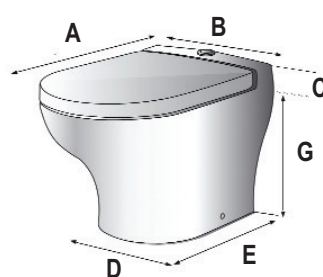
### Dimensions:

#### Medium



A	520mm (20½")
B	355mm (14")
C	50mm (2")
D	250mm (10")

#### Short



E	350mm (13¾")
F	430mm (17")
G	320mm (12½")

- Dual Flush Operation  
1.2 Litre (Econo-flush) 2.2 Litres (Normal flush)
- Minimal Routine Maintenance
- Easy to Clean
- Very Quiet
- 2 Year Guarantee

### TECHNICAL SPECIFICATIONS:

Water Consumption	1.2 to 2.2L
Water Pressure	20 - 45 PSI
Water Connection	¾" BSP
Waste Outlet	1" or 1½" (25 or 38mm)
Electric Consumption:	12 Volt 20 Amps
	24 Volt 10 Amps
Start-up-surge:	12 Volt 133 Amps
	24 Volt 69 Amps
	12 Volt Motor 260 Watts
	24 Volt Motor 260 Watts
Weight	26Kg