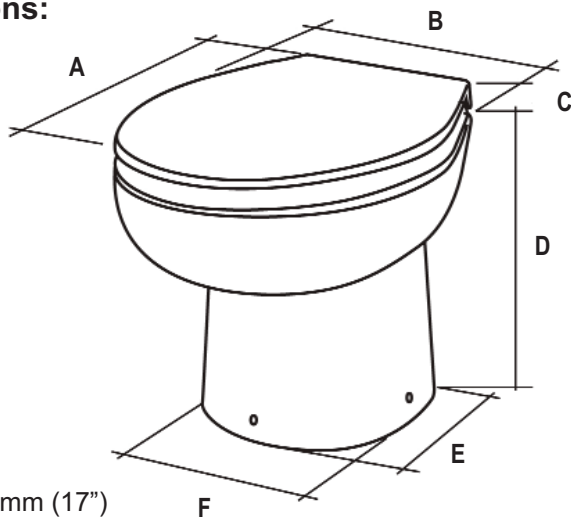


Sanimarin SN31



Part No: 02496 ~ 12v, 02497 ~ 24v

Dimensions:



A	430mm (17")
B	370mm (14½")
C	40mm (1½")
D	310mm (14¼")
E	240mm (9½")
F	250mm (10")

SANI MARIN

PUMPED ELECTRIC, MACERATOR TOILET

Quiet and effective, handy, light and compact, the Sanimarin 31 is the smallest toilet on the market. Thanks to its light weight and small size, it is easy to integrate in all areas, and above all, it easily replaces toilets with manual pumps.

Discharge is through conventional 1" - 1½" hose. Exceptionally easy to install with fresh water for flushing supplied by connection into the boat's water pressure system. Will discharge to a higher head than most other toilets.

- Dual Flush Operation
1.2 Litre (Econo-flush) 2.2 Litres (Normal flush)
- Minimal Routine Maintenance
- Easy to Clean
- Very Quiet
- 2 Year Guarantee

TECHNICAL SPECIFICATIONS:

Water Consumption	1.2 to 2.2L
Water Pressure	20 - 45 PSI
Water Connection	¾" BSP
Waste Outlet	1" or 1½" (25 or 38mm)
Electric Consumption:	12 Volt 20 Amps
	24 Volt 10 Amps
Start-up-surge:	12 Volt 133 Amps
	24 Volt 69 Amps
Weight	12 Volt Motor 260 Watts
	24 Volt Motor 260 Watts