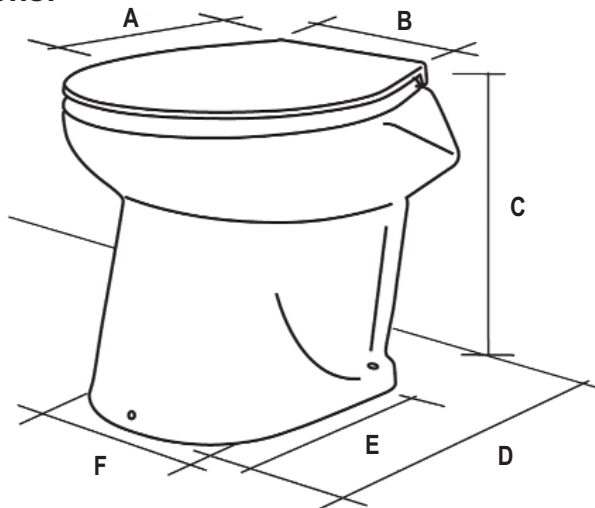


Sanimarin SN35



Part No: 02498 ~ 12v, 02499 ~ 24v

Dimensions:



A	440mm (17¼")	B	370mm (14½")
C	465mm (18¼")	D	375mm (14¾")
E	300mm (11¾")	F	300mm (11¾")

SANI MARIN

PUMPED ELECTRIC, MACERATOR TOILET

With its profiled lines, the Sanimarin 35 adapts to the hull's shape. Providing an ideal compromise between comfort and practicality compact in depth for those confined bathroom spaces. Quiet and effective.

Discharge is through conventional 1" - 1½" hose. Exceptionally easy to install with fresh water for flushing supplied by connection into the boat's water pressure system.

Will discharge to a higher head than most other toilets.

- Dual Flush Operation
1.2 Litre (Econo-flush) 2.2 Litres (Normal flush)
- Minimal Routine Maintenance
- Easy to Clean
- Very Quiet
- 2 Year Guarantee

TECHNICAL SPECIFICATIONS:

Water Consumption	1.2 to 2.2L
Water Pressure	20 - 45 PSI
Water Connection	¾" BSP
Waste Outlet	1" or 1½" (25 or 38mm)
Electric Consumption:	12 Volt 20 Amps
	24 Volt 10 Amps
Start-up-surge:	12 Volt 133 Amps
	24 Volt 69 Amps
Weight	12 Volt Motor 260 Watts
	24 Volt Motor 260 Watts
	23.8Kg