

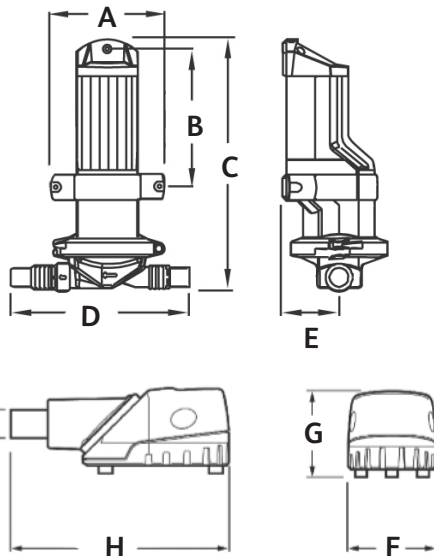
Gulper 320 Bilge Pump c/w Strainer



Model:	12v	24v
Gulper 320 Bilge Pump	04533	04534

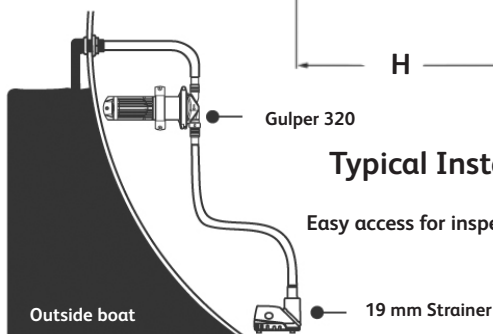
Dimensions:

A	110mm
B	156mm
C	280mm
D	198mm
E	63mm
F	60mm
G	57mm
H	148mm
J	19mm



Typical Installations

Easy access for inspection



Easy Access Remote Mount Bilge Pump High, Dry and Protected

- remote mounted for easy inspection

No clog, no filter waste pump built on more than a decade of market leading pump technology

Easy Access and Product Protection

- Meets requirement for primary bilge pump for boats up to 12m length
- Ideal where bilge space is limited
- Long life high, dry and protected

Technical Specifications:

	12v	24v
Weight	1.6 Kgs	1.6 Kgs
Rec. Fuse Size	10 Amps	5 Amps
LiftMax. Suction Lift	3m	3m
Max. Discharge head	3m	3m
Max. Dis'ge head & Suction Life	4m	4m
Hose Connections	19/25mm	19/25mm

Performance Data:

	0m	0m	1m	1m
Suction Lift	0m	0m	1m	1m
Discharge Head	1m	1m	1m	1m
Hose size	19mm	25mm	19mm	25mm
Flow Rate/ Minute	19ltrs	17.5ltrs	17.4ltrs	15.5ltrs
Current Draw (12 V d.c.)	7.5 amps	8 amps	7.5 amps	8 amps
Current Draw (24 V d.c.)	3.25 amps	4 amps	3.25 amps	4 amps